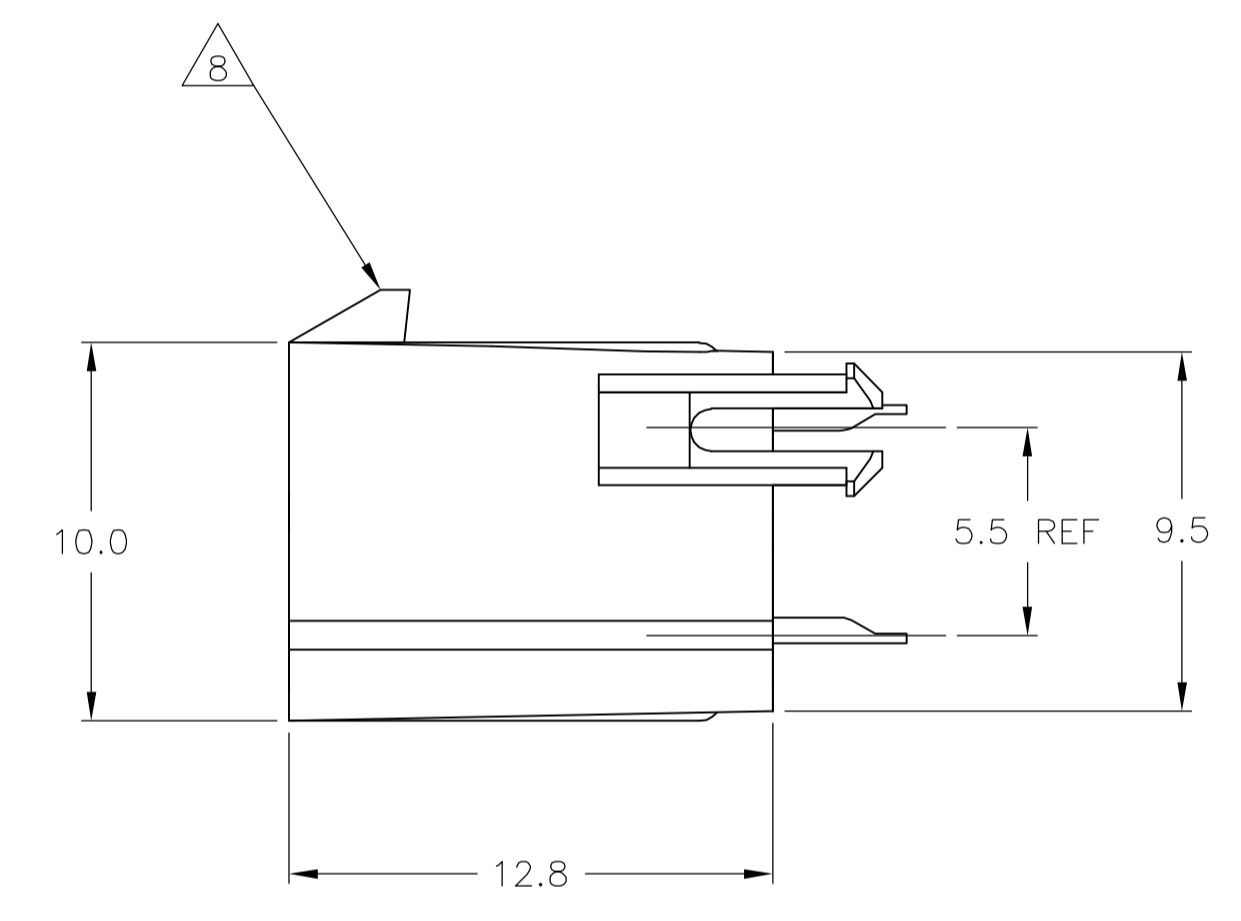


RECOMMENDED MOUNTING HOLE PATTERN
 FOR 1.78 MAX THICK P.C. BOARD
 COMPONENT SIDE SHOWN

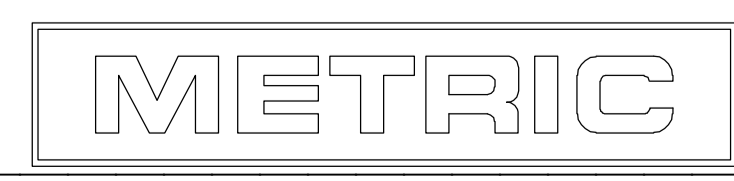
- 1 MATERIAL:
HOUSING - NYLON, UL94V-0 (COLOR - NATURAL, COLOR OF PARTS MAY VARY).
CONTACTS - 0.25 THK COPPER ALLOY.
- 2 CONTACT FINISH: 0.003 MIN THK TIN-LEAD OVER 0.00127 MIN THK NICKEL OVER ENTIRE CONTACT.
- 3 CONTACT FINISH: 0.00076 MIN THK GOLD PLATE ON PIN MATING SURFACE, 0.003 MIN THK TIN-LEAD PLATE ON SOLDER TAIL, ALL OVER 0.00127 MIN THK NICKEL BASE PLATE.
- 4. SOLDER TAIL MEETS AMP SOLDERABILITY SPECIFICATION 109-11-2.
- 5. MATES WITH SIMILARLY PLATED AMP-DUAC™ POWER CONNECTOR RECEPTACLE HOUSINGS/SOCKET CONTACTS.
- 6 RIBS ON FOUR CORNERS OPTIONAL.
- 7 AMP LOGO AND MATERIAL ID MAY BE LOCATED ON EITHER LONG SIDE OF PART.
- 8 SIZE, SHAPE OR STYLE OF THIS FEATURE MAY VARY.
- 9 CONTACT FINISH: 0.003 MIN THK TIN OVER 0.00127 MIN THK NICKEL OVER ENTIRE CONTACT.
- 10 CONTACT FINISH: 0.00076 MIN THK GOLD PLATE ON PIN MATING SURFACE, 0.003 MIN THK TIN PLATE ON SOLDER TAIL, ALL OVER 0.00127 MIN THK NICKEL BASE PLATE.



SUPERCEDED BY 1-794469-2

SUPERCEDED BY 1-794469-1

1	10	1	1	1-794469-2
1	9	1	1	1-794469-1
1	3	1	1	794469-2
1	2	1	1	794469-1
MATERIAL	FINISH	MATERIAL	COLOR	PART NO.



THIS DRAWING IS A CONTROLLED DOCUMENT.

DIN R VESTAL	DBJUN98		Tyco Electronics Corporation	
CHK R SWING	DBJUN98		Harrisburg, Pa 17105-3608	
DIMENSIONS: mm		APVD C CASH	DBJUN98	NAME
TOLERANCES UNLESS OTHERWISE SPECIFIED:		ASSEMBLY, HEADER, VERTICAL, 10 POSITION, W/PEGS, W/DRAIN HOLES, 94V-0, AMP-DUAC(TM)		
0 PLC ± -	1 PLC ± 0.2	PRODUCT SPEC	108-1699	
2 PLC ± 0.13	3 PLC ± -	APPLICATION SPEC	-	
4 PLC ± -	ANGLES ± ± 0.30°	SIZE	CAGE CODE	DRAWING NO
MATERIAL SEE TABLE	FINISH SEE TABLE	WEIGHT	A1	00779 C=794469
CUSTOMER DRAWING		SCALE	5:1	SHEET 1 OF 1 REV E